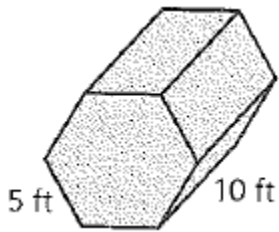


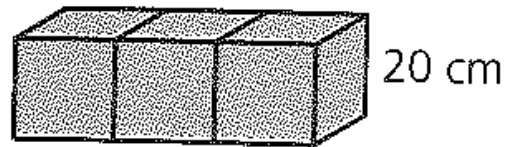
Name _____

Surface Area Practice

1. The area of each hexagon on this prism is 52 square units. What is the surface area?



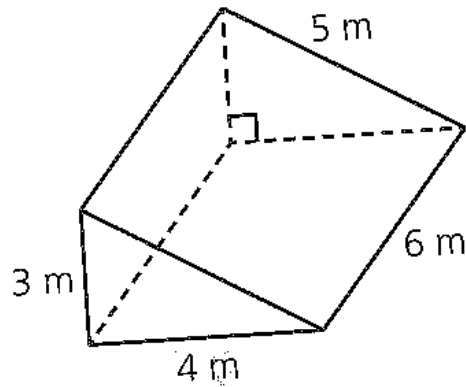
2. The three cubes below are glued together and will be painted. What is the total surface area to be painted?



3. Each cube in this stack has a side length one unit long. What is the total surface area in square units of the cube?



4. What is the total surface area of this prism?



5. Teresa made this jewelry box by combining two rectangular boxes. What is the total surface area of this jewelry box?

