

NAME _____

REWIND AND REMEMBER #4 (Reg)

Please show your work and turn this in on _____ for a grade. (20 points)

1) $|-87 - 50|$



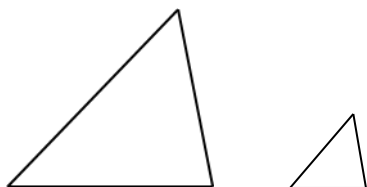
2) $2^2 \div \sqrt{256}$



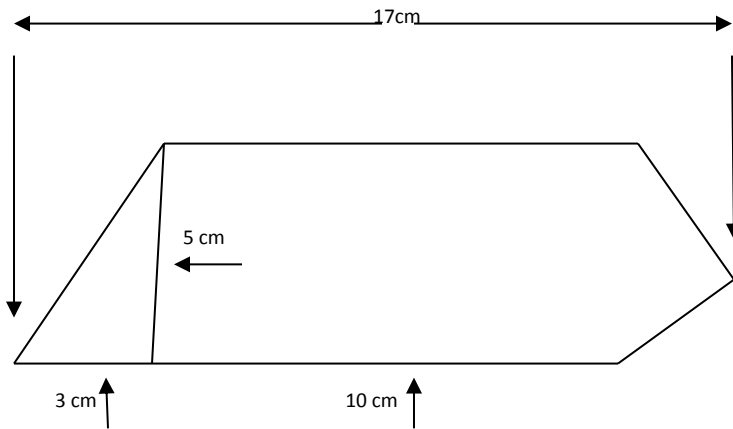
3) Place the following exponents in order from least to greatest:

6^4 2^6 9^2 4^8 3^5 8^3

4) True or false. The two figures below are congruent.



5) Find the area of the figure below:



6) Find the probability of flipping a coin and getting a heads and then rolling a 6 on a die.

6) Mildred traveled 120 miles in 3 hours. What was her speed?

7) Show 3 other ways to represent the value of 0.025. Use words, numerals, and/or symbols.

8) Which operation should be done third?

$$5(11) - 5 + [(4 - (10 - 6))]$$

9) How many degrees are there in **one** angle of a regular quadrilateral?

10) What type of triangle is this?

Give 2 names based on the sides and angles.

